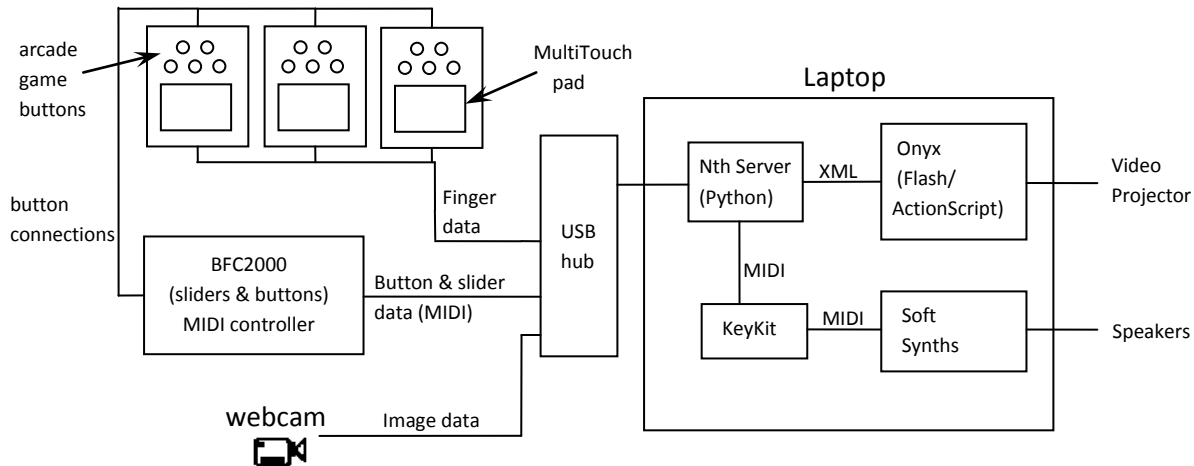


MultiTouch MultiMedia - Finger Fresco 1.0

Multitouch is the ability of an interface to detect multiple fingers simultaneously and independently. Finger Fresco is an interactive art installation which demonstrates how multitouch interfaces can be used to create extremely responsive and natural interfaces in multimedia performance applications.

CONNECTIONS:



HARDWARE:

FingerWorks iGesture pads –these particular multitouch pads (unfortunately no longer produced) demonstrate extremely responsive multitouch ability, with a USB connection to the computer. The pads delivers a constant stream of high-resolution data about each finger, including the area of the finger sensed on the pad’s surface. The harder you press, the more area is covered, so this finger-area data can be used as a pseudo-pressure value that is extremely useful and very natural for controlling aspects of the multimedia output.

Behringer BFC2000 MIDI controller – customized/hacked by adding external ports for connections to its button circuit-board, allowing easy use of external switches (in this case, arcade-style game buttons).

Miscellaneous – web camera to provide image data, custom wood cases, arcade-style pushbuttons, laptop.

SOFTWARE

Onyx – an open-source video performance tool, written in the Actionscript language and running in the Flash 9 browser plugin. See <http://onyx-vj.com> for more info.

KeyKit – a freely-available programming language for algorithmic MIDI manipulation.

NthServer – an application, written in the Python language, which receives data from the multitouch pads and the BFC2000 controller and forwards it in XML and MIDI format to the Onyx (Flash) and KeyKit applications.

Finger Fresco – this particular installation, implemented with code running inside Onyx and KeyKit, translating finger and MIDI data into the graphics and music that you experience.

For more information, visit <http://nosuch.com/fingerfresco>
or send mail to Tim Thompson, tjt@nosuch.com